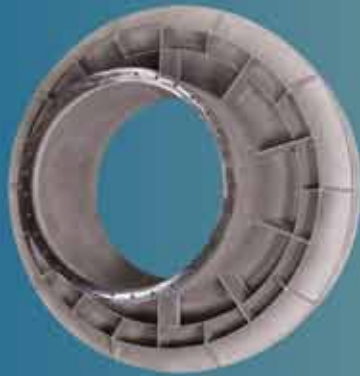
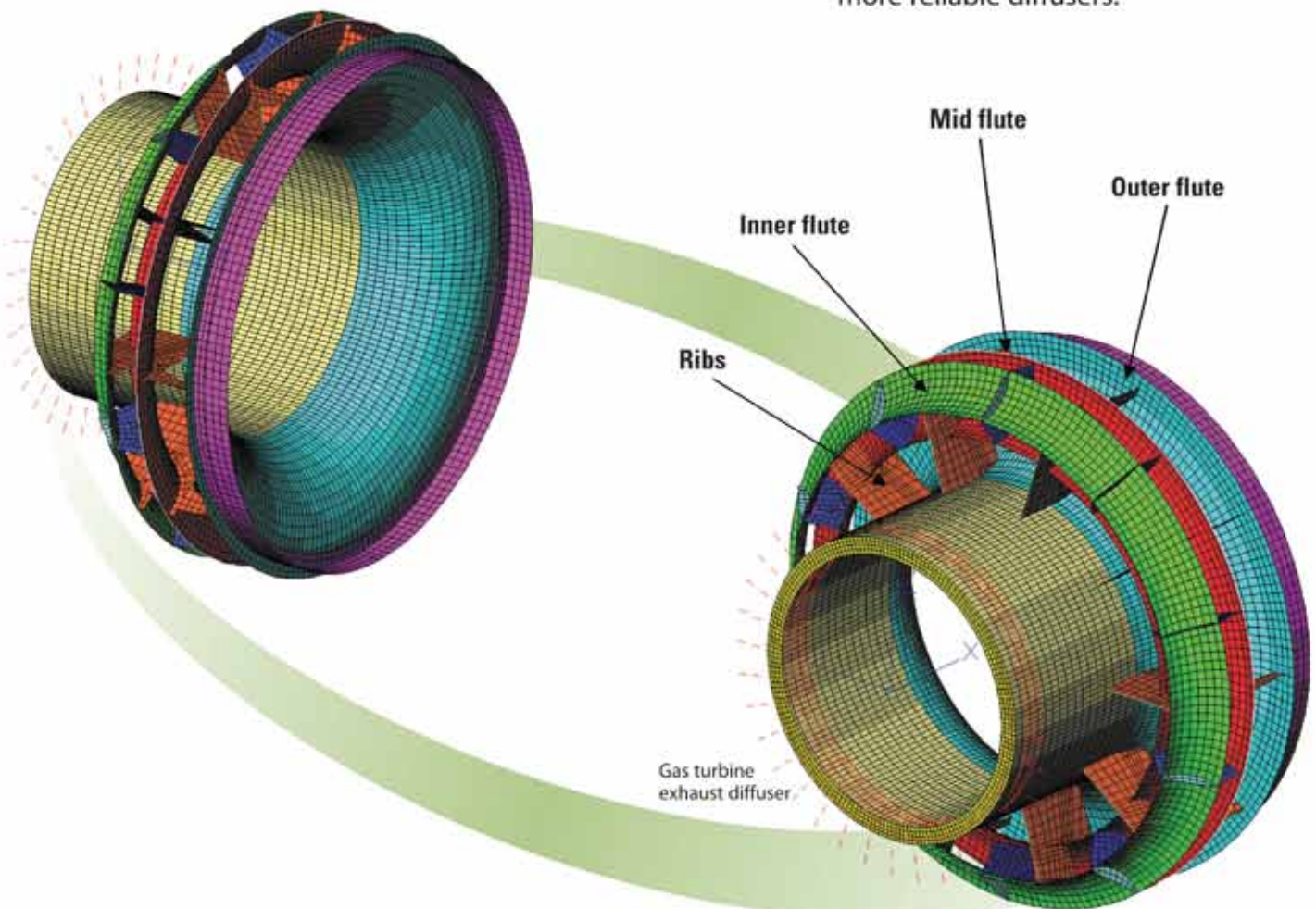


Exhaust Diffuser Systems



FS-5 exhaust diffuser

With over 25 years of manufacturing experience, ConFab™ provides proven design and manufacturing processes and fixtures for new exhaust diffusers. With ConFab, you do not need to settle for "as good as the OEM." We regularly apply our accumulated knowledge, experience and the latest design tools to design longer life, more reliable diffusers.



Gas turbine exhaust diffuser

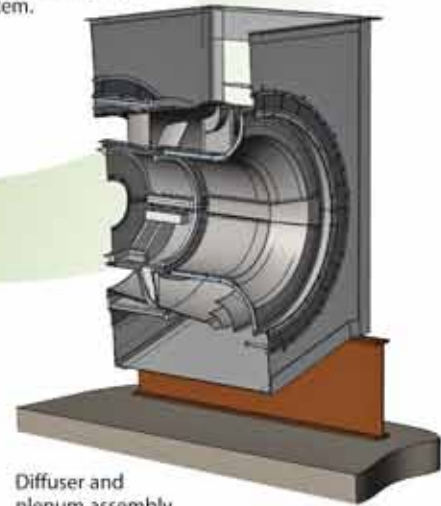


FS-7 exhaust diffuser.



Braden® plenum.

Let us combine a ConFab™ exhaust diffuser with a Braden plenum to create a complete system.



Diffuser and plenum assembly.

Integrated Exhaust Systems... Guaranteed to Deliver Optimal Performance

ConFab™ can provide a complete integrated system for gas turbine exhaust, designed and guaranteed to operate efficiently together. By combining a Braden® plenum with ConFab hardware and diffuser, we can assure a safer, more efficient and easier-to-operate system.

We offer the manpower, equipment, and experience to install on your site...or we can provide detailed erection drawings and procedures for your own crew.

CONSOLIDATED FABRICATORS™
A DIVISION OF BRADEN MANUFACTURING LLC

17 St. Mark Street
Fairfax Industrial Park
Auburn, MA 01501 USA

Tel: 508-832-9686
Fax: 508-832-7369
Email: sales@consolidatedfabricators.com

www.consolidatedfabricators.com